

PURPOSE:
TO CREATE A NEW MODERN DOCK FACILITY AND FERRY TERMINAL

DATUM:
0.0' MLLW

PROJECT LOCATION:
55.331 LAT. -160.504 LONG.
S17, T056S, R073W
SEWARD MERIDIAN

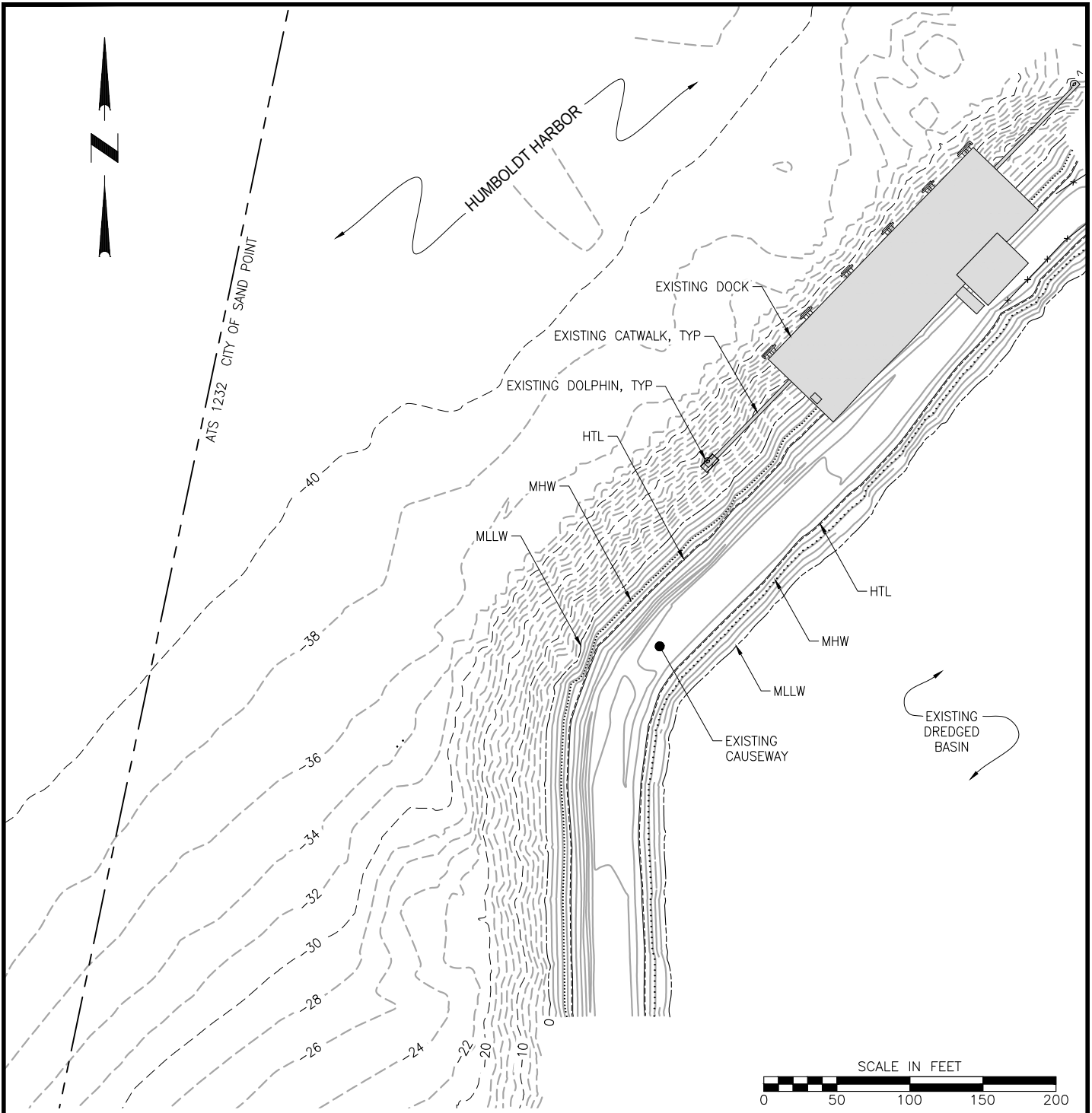
VICINITY MAP AND PROJECT LOCATION

CITY OF SAND POINT, AK.
3380 C STREET, SUITE 205
ANCHORAGE, ALASKA 99503

CITY OF SAND POINT DOCK REPLACEMENT POA-XXXX-XXX-XX

AT: SAND POINT, POPOF ISLAND
IN: HUMBOLDT HARBOR

4/9/2018 SHEET **1** of **6**



PURPOSE:
 TO CREATE A NEW MODERN
 DOCK FACILITY AND FERRY
 TERMINAL
 DATUM:
 0.0' MLLW
 PROJECT LOCATION:
 55.331 LAT. -160.504 LONG.
 S17, T056S, R073W
 SEWARD MERIDIAN

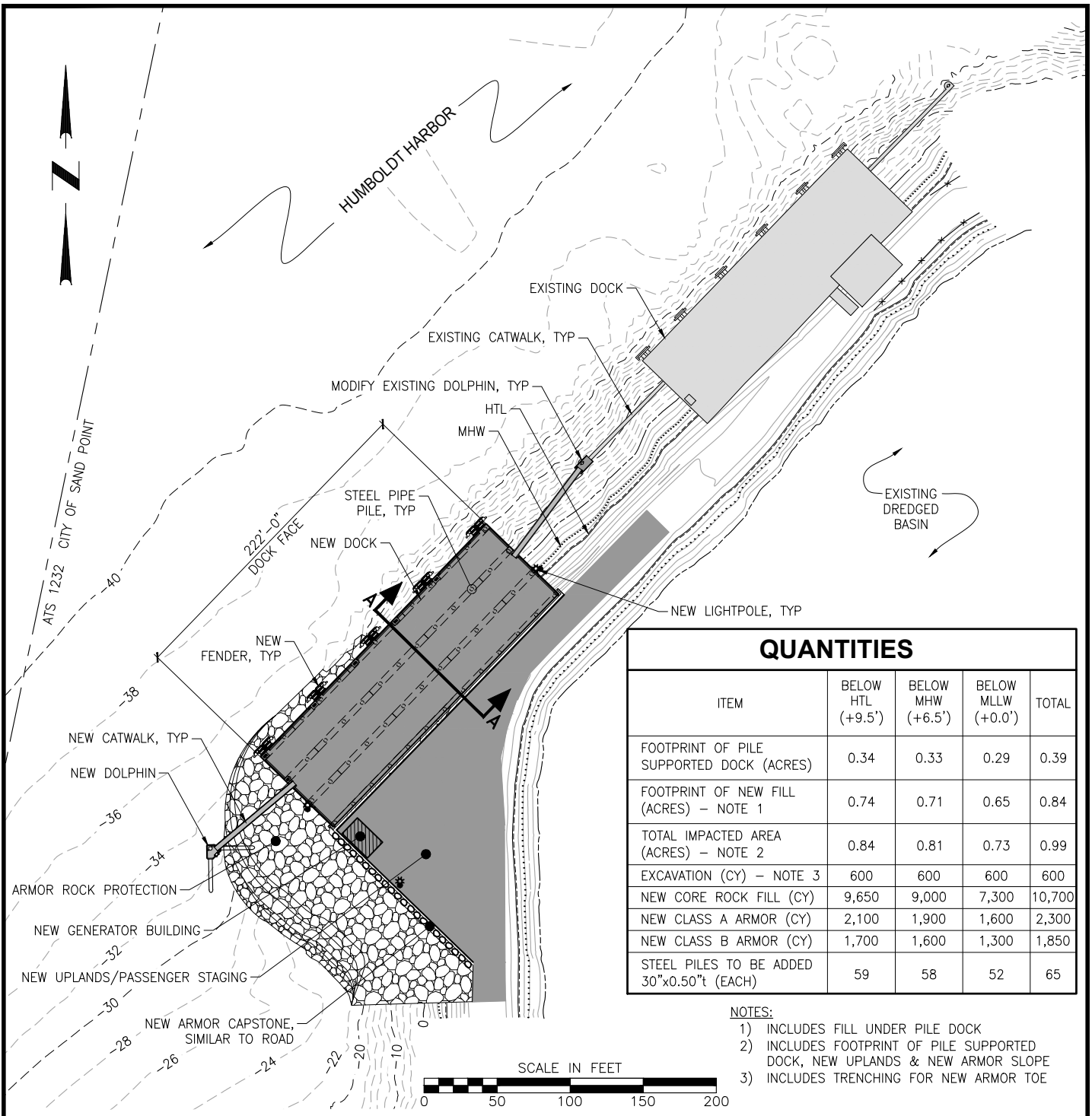
EXISTING PLAN

CITY OF SAND POINT, AK.
 3380 C STREET, SUITE 205
 ANCHORAGE, ALASKA 99503

**CITY OF SAND POINT
 DOCK REPLACEMENT
 POA-XXXX-XXX-XX**

AT: SAND POINT, POPOF ISLAND
 IN: HUMBOLDT HARBOR

4/9/2018 SHEET **2** of **6**



QUANTITIES				
ITEM	BELOW HTL (+9.5')	BELOW MHW (+6.5')	BELOW MLLW (+0.0')	TOTAL
FOOTPRINT OF PILE SUPPORTED DOCK (ACRES)	0.34	0.33	0.29	0.39
FOOTPRINT OF NEW FILL (ACRES) - NOTE 1	0.74	0.71	0.65	0.84
TOTAL IMPACTED AREA (ACRES) - NOTE 2	0.84	0.81	0.73	0.99
EXCAVATION (CY) - NOTE 3	600	600	600	600
NEW CORE ROCK FILL (CY)	9,650	9,000	7,300	10,700
NEW CLASS A ARMOR (CY)	2,100	1,900	1,600	2,300
NEW CLASS B ARMOR (CY)	1,700	1,600	1,300	1,850
STEEL PILES TO BE ADDED 30"x0.50"t (EACH)	59	58	52	65

- NOTES:
- 1) INCLUDES FILL UNDER PILE DOCK
 - 2) INCLUDES FOOTPRINT OF PILE SUPPORTED DOCK, NEW UPLANDS & NEW ARMOR SLOPE
 - 3) INCLUDES TRENCHING FOR NEW ARMOR TOE

PURPOSE:
TO CREATE A NEW MODERN DOCK FACILITY AND FERRY TERMINAL

DATUM:
0.0' MLLW

PROJECT LOCATION:
55.331 LAT. -160.504 LONG.
S17, T056S, R073W
SEWARD MERIDIAN

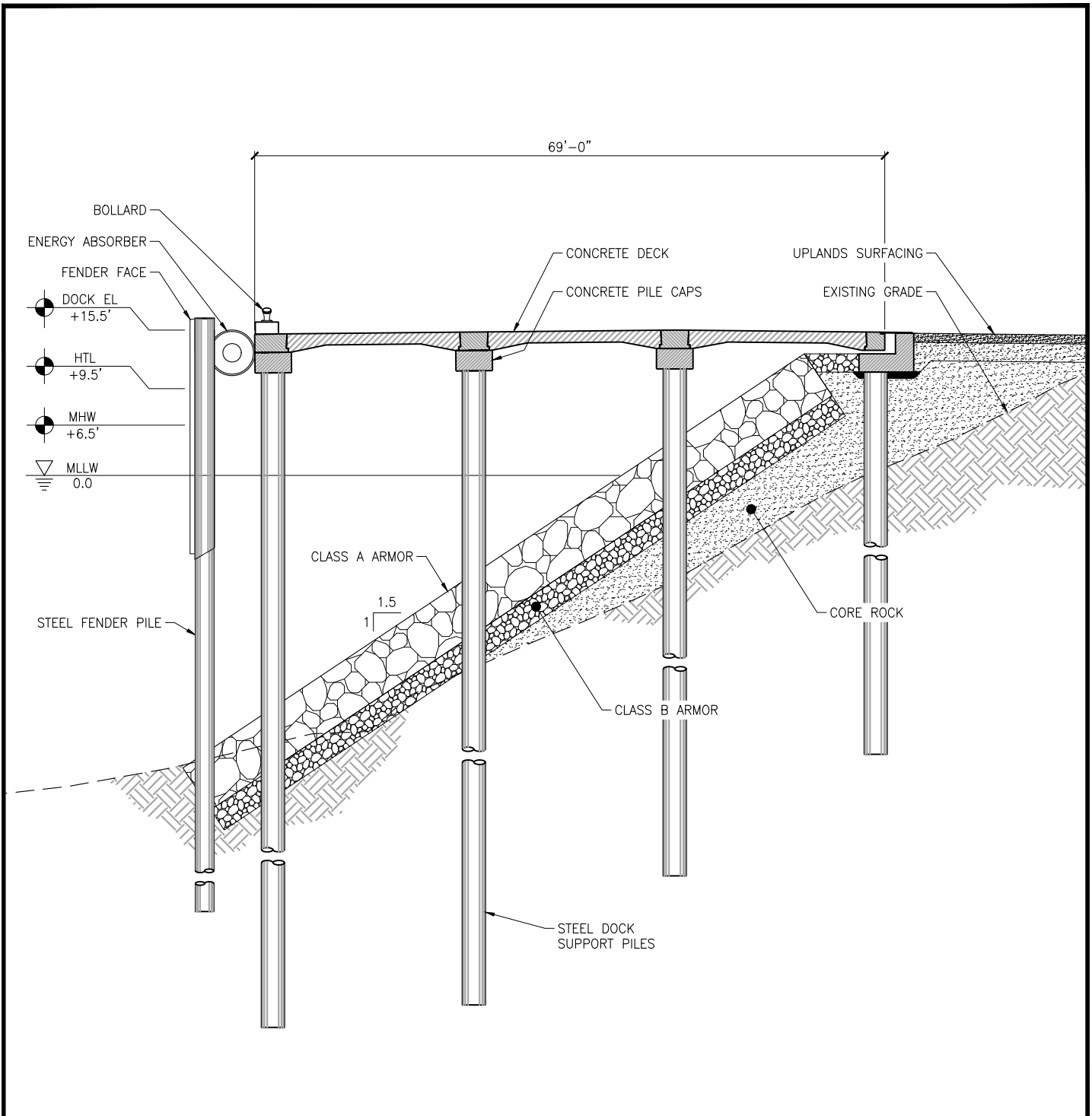
PROPOSED SITE PLAN

CITY OF SAND POINT, AK.
3380 C STREET, SUITE 205
ANCHORAGE, ALASKA 99503

CITY OF SAND POINT DOCK REPLACEMENT POA-XXXX-XXX-XX

AT: SAND POINT, POPOF ISLAND
IN: HUMBOLDT HARBOR

4/9/2018 SHEET **3** of **6**



PURPOSE:
 TO CREATE A NEW MODERN
 DOCK FACILITY AND FERRY
 TERMINAL
 DATUM:
 0.0' MLLW
 PROJECT LOCATION:
 55.331 LAT. -160.504 LONG.
 S17, T056S, R073W
 SEWARD MERIDIAN

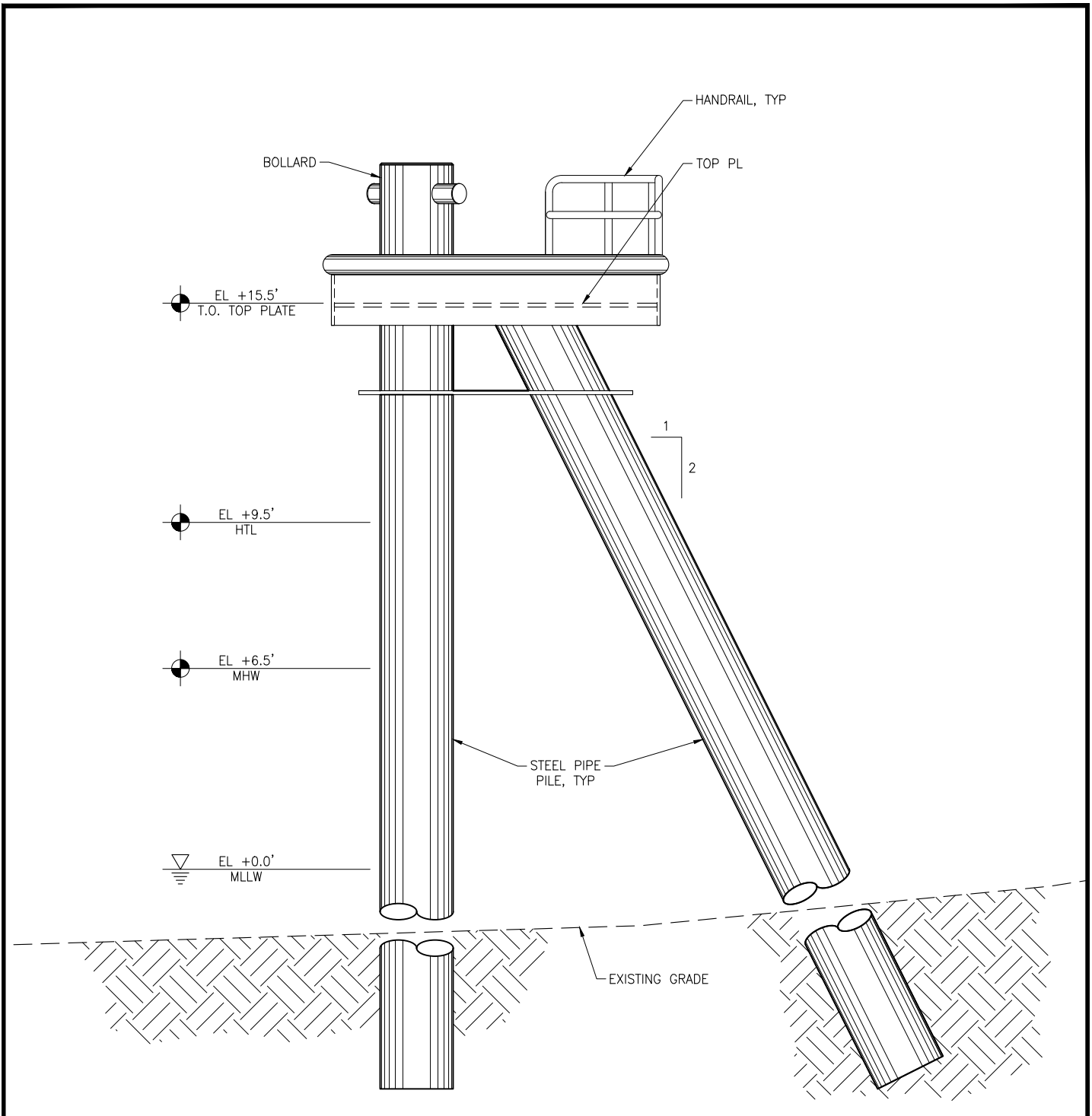
DOCK SECTION A-A

CITY OF SAND POINT, AK.
 3380 C STREET, SUITE 205
 ANCHORAGE, ALASKA 99503

**CITY OF SAND POINT
 DOCK REPLACEMENT
 POA-XXXX-XXX-XX**

AT: SAND POINT, POPOF ISLAND
 IN: HUMBOLDT HARBOR

4/9/2018 SHEET **4** of **6**



PURPOSE:
 TO CREATE A NEW MODERN
 DOCK FACILITY AND FERRY
 TERMINAL
 DATUM:
 0.0' MLLW
 PROJECT LOCATION:
 55.331 LAT. -160.504 LONG.
 S17, T056S, R073W
 SEWARD MERIDIAN

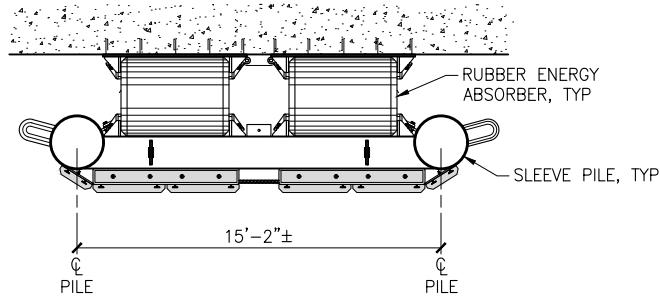
MOORING DOLPHIN

CITY OF SAND POINT, AK.
 3380 C STREET, SUITE 205
 ANCHORAGE, ALASKA 99503

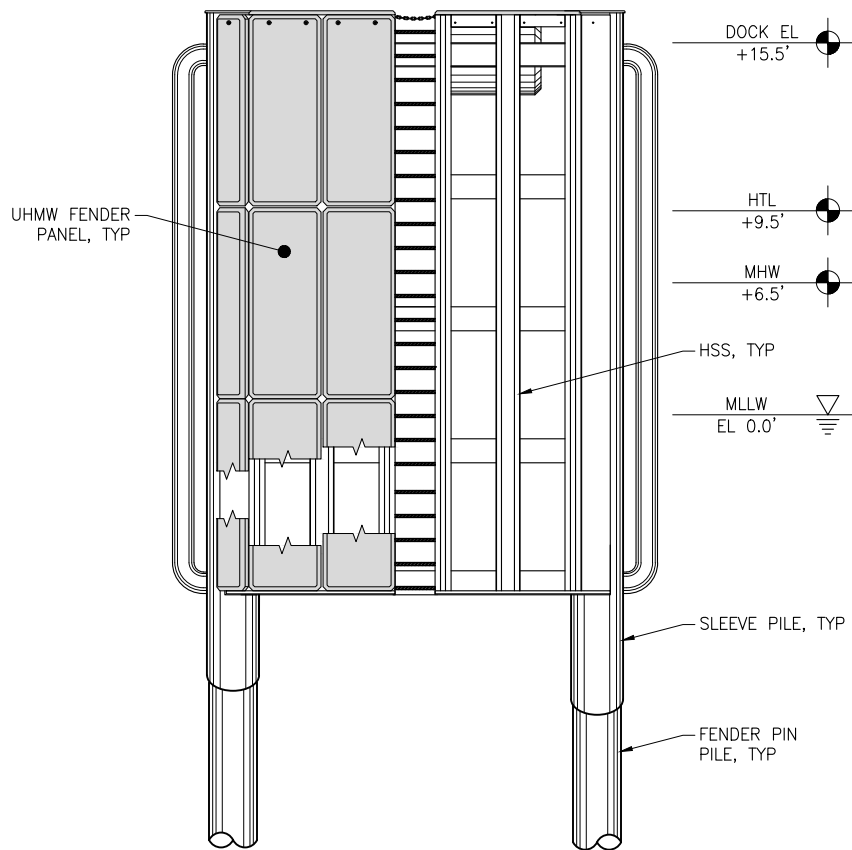
**CITY OF SAND POINT
 DOCK REPLACEMENT
 POA-XXXX-XXX-XX**

AT: SAND POINT, POPOF ISLAND
 IN: HUMBOLDT HARBOR

4/9/2018 SHEET **5** of **6**



PLAN



ELEVATION

PURPOSE:
TO CREATE A NEW MODERN
DOCK FACILITY AND FERRY
TERMINAL

DATUM:
0.0' MLLW

PROJECT LOCATION:
55.331 LAT. -160.504 LONG.
S17, T056S, R073W
SEWARD MERIDIAN

FENDER DETAILS

CITY OF SAND POINT, AK.
3380 C STREET, SUITE 205
ANCHORAGE, ALASKA 99503

**CITY OF SAND POINT
DOCK REPLACEMENT
POA-XXXX-XXX-XX**

AT: SAND POINT, POPOF ISLAND
IN: HUMBOLDT HARBOR

4/9/2018

SHEET **6** of **6**